



TAURULIFT
T 204 H



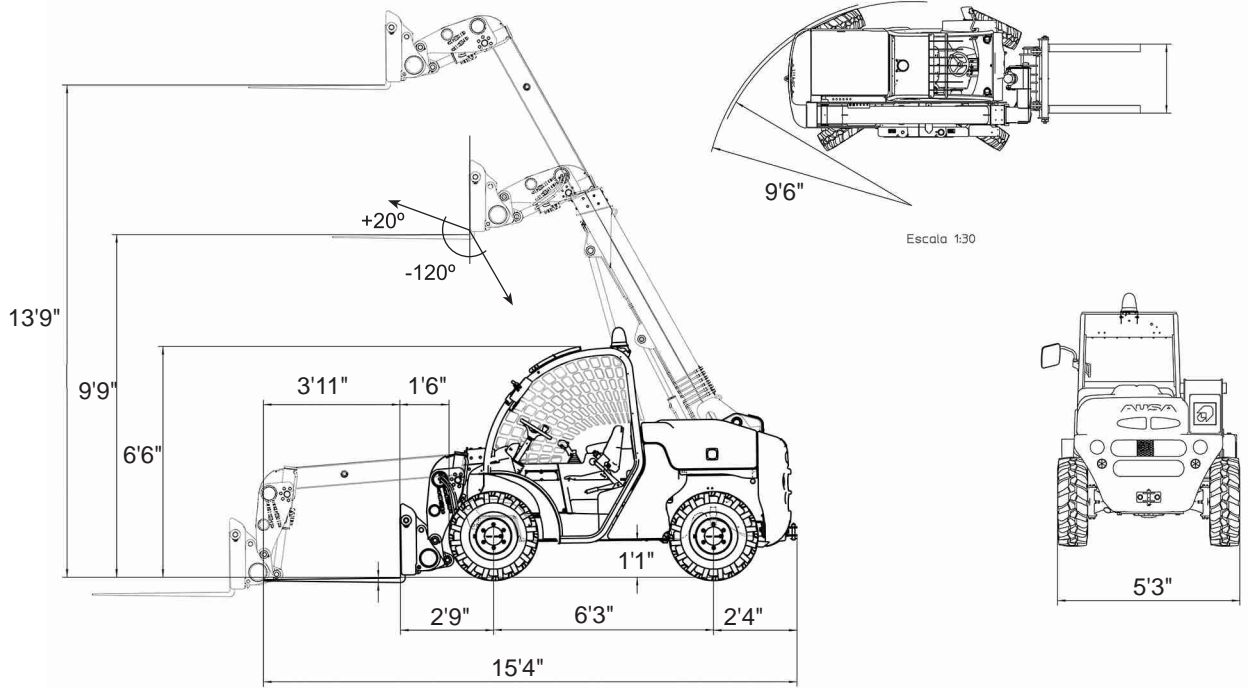
www.ausa.com

AUSA Center, S.L. | Ctra. de Vic, Km 2.8 - P.O.B. 194, 08243 Manresa - BARCELONA (ESPAÑA) | Tel.: +34 93 874 73 11 | E-mail: ausa@ausa.com

AUSA NORTHAMERICA CORP.
2655 Le Jeune Road - Suite 808
CORAL GABLES FL 33134 (USA)
Toll free: 1 800 820 AUSA
E-mail: ausa.corp@ausa.com

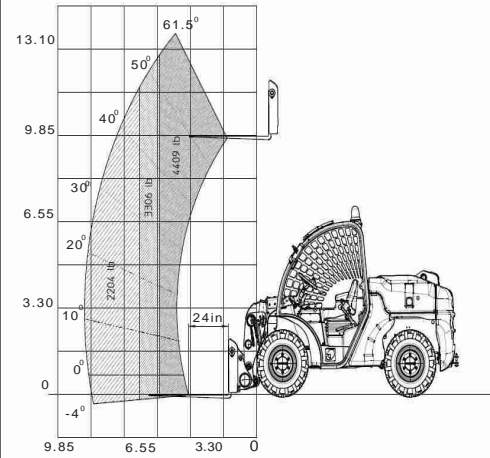


T 204 H_4,400 Lbs



TECHNICAL SPECIFICATIONS

		T 204 H
Load capacity (Lb)	Max.Load @ 24" LC	4,400
	Load at max. height	4,400
Lifting height (Ft)	Maximum lifting height	13'9"
	Maximum lifting height at max.load	13'9"
Forward Reach	Max Reach (ft)	8'6"
	Capacity at max reach (Lb)	2,200
Engine	Diesel	KUBOTA V2403
	Power acc./DIN 6270 B (KW/HP)	36.5/49.6 (2600rpm)
	Power acc./DIN 70020 (KW/HP)	39.7/53.9(2600rpm)
	N° of cylinders	4
	Cooling system	Water
Traction		4 x 4 Permanent
Transmission		Hydrostatic 2 gear. Electric gear inverter
Engine starting system		Electric
Speed (Maximum) (mph)		14.9
Unladen wieght (Lb)		8,929
Gradient negotiable (with full load)		50%
Hydraulic circuit		24 cc. gear pump. Working preasure 3481 PSI
Tires	Front	10 x 75 -15.3
	Rear	10 x 75 -15.3
External turning circle (ft)		9'6"
Steering		Hydraulic front wheel steer/ all wheel steer/ crab steer
Tank capacity (US gal)	Fuel	17.2
	Hydraulic fluid	18.5
Service brake		Disc
Parking brake		Mecanical at the same disc caliper



STANDARD EQUIPMENT

- FOPS-ROPS open cabin
- Antivandal system
- Adjustable ergonomic seat
- Seat belt
- Rear view mirror
- Rotating beacon
- Back up alarm
- Hydraulic quick hitch
- Tilting cabin for service
- Passive security system

OPTIONAL EQUIPMENT

- Semi-closed cabin / Full cabin and Lights
- Air conditioning
- Optional tires 12 / 16.5
- Forks
- Carriage
- 0'785 Cubic yard bucket (65" width)
- Side Shift

AUSA reserves the right to make any changes in the specifications without prior notice.