



B 400 H

LA BARREDORA VIAL QUE FACILITA TU TRABAJO
THE URBAN SWEEPER THAT MAKES YOUR WORK EASIER
KEHRMASCHINE FÜR DEN KOMMUNALBEREICH WELCHE DAS ARBEITEN EINFACH MACHT!
LA BALAYEUSE QUI FACILITE VOTRE TRAVAIL



AUSA Center, S.L.U. ● Ctra. de Vic, Km 2.8 - P.O.B. 194, 08243 Manresa - BARCELONA (ESPAÑA) Tel.: +34 93 874 73 11 E-mail: ausa@ausa.com



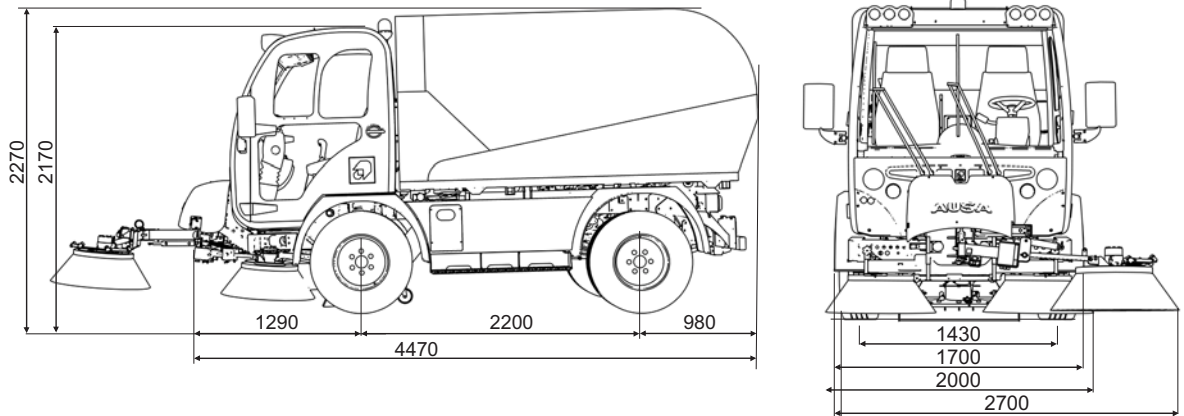
AUSA Madrid ● Pol. Ind. Coslada-Marconi 15-17, 28823 Coslada - MADRID (ESPAÑA) Tel.: +34 91 669 00 06 E-mail: ausa.madrid@ausa.com
AUSA France ● Z. I. Saint Charles-Rue de Zürich, 66000 PERPIGNAN (FRANCE) Tel.: +33 (0) 4 68 54 38 97 E-mail: ausa.france@ausa.com
AUSA Verkauf & Service Deutschland ● Heinrich-Welken Straße 5, 59069 HAMM - RHYERN (GERMANY) Tel.: +49 (0) 2385-9359362 E-mail: ausa.deutschland@ausa.com
BEIJING Rep. Office ● Address Room 527, HengXiang Building, Tuanjiehu Nanli, Chaoyang District. - Beijing 100026 CHINA
Tel: 86-10-8597 1983 - Fax: 86-10-8597 1993 - E-mail: ausa.china@ausa.com



(Sede central AUSA-Manresa)

AUSA UK ● Sales: 07970639988 E-mail: ausa.uk@ausa.com
AUSA Northamerica Corp. ● E-mail: ausa.corp@ausa.com

B 400 H x2 / x4



TECHNICAL SPECIFICATIONS

		B 400 H x2 / x4
Waste hopper ALUMINIUM	Capacity (m3)	4 m ³
Water tank INOX	Capacity (l)	500 l (INOX)
Sweeping system	Vacuum power (m ³ /h)	13000 m ³ /h
	Brooms	2 standard brooms of Ø850 mm / 3rd optional broom Ø850 mm
Vacuum nozzle	Sweeping path width (mm)	2000mm / 2700mm with 3rd optional broom
		Nozzle width 800 mm Adjustable gate Stainless steel
Engine	Make	VOLKSWAGEN
	Type	2.01 TDI EURO 5
	Emission regulations	EURO 5
	Power (Kw - Cv)	75-102 (3000 rpm)
	N. of cylinders	4
	Cooling	Liquid
Tank capacity (l)	Fuel	85
		Diesel
Unloading system	Hopper discharge angle	50°
	Backwards movement (mm)	200 mm
	Hopper dump height (mm)	1540 mm
Transmission		2 hydrostatic speeds + 2 mechanical speeds
	Maximum speed (Km/h)	Limited to 40 km/h / optional to 62 km/h or 25 km/h
Gradient negotiable (with full load)	Traction	4x2 rear locking differential on demand / 4x4 FULLGRIP® system and rear locking differential on demand
Brakes	Service	Power-assisted hydraulic master cylinder, disc on front wheels and drum brake on rear wheels (ABS + EBD Optional / Standard on version 62 km/h)
	Parking	On rear axle, mechanically applied, hydraulically released
Steering suspension		Hydraulically power-assisted steering, supplied by TRW
		On front axle. Hydraulic absorbers & springs On rear axle. Helicoidally leaf springs, hydraulic absorbers and anti-roll bar
Weight (Kg) (with 3rd broom)	Unloaded weight	4440 (2355 front axle ; 2085 rear axle)
	Gross weight	6045 (2650 front axle ; 3750 rear axle)

STANDARD EQUIPMENT

- Front brooms (2) broom side-shift (+/- 200mm)
- Closed cabin with heating
- Doors with excellent visibility
- Electronic boost of rpm engine
- Monitor with 2 cameras: suction nozzle / backwards visibility
- Quick "LINK"® coupling / uncoupling fast system of optional interchangeable attachments for the sweeper
- Water coupling STORZ 2"
- Water couplings Barcelona 45 / 70
- Hose 5m
- Waste tank inspection window
- Seat with mechanical suspension
- Rotating beacon with telescopic support of 450mm length
- Electrically adjustable rear mirrors with heater
- Approved lightning system with electrical settings on head lamps
- Wheel wrench
- Wiring for transceiver set
- Radio
- Front plate for attachments
- Right hand drive for better sweeping visibility

OPTIONAL EQUIPMENT

- Sweeping water recirculation system
- 3rd broom with long reaches (850mm)
- Auxiliary manual wander hose reaching up to 5 m / Ø160 mm
- High pressure water jet spray lance (150 bar / hose length 15m / possibility use of detergent)
- High pressure water jet spray lance with hose reel (150 bar / hose length 16m / possibility use of detergent)
- Standard support legs for taking-off the sweeping equipment
- Air conditioning
- Tacograph
- Seat with pneumatic suspension
- Towing hitch ball (50 mm) with electric socket (13 pins)
- Towing hitch "Rockinger" with electric socket (13 pins)
- Automatic lubrication system
- 62km/h with ABS + EBD and 2 mechanical speed
- ABS + EBD (on 40km/h version)
- 4 wheel drive

AUSA reserves the right to make any changes in the specifications without prior notice.