

## NEW SWEEPER 3 m<sup>3</sup>

Water supply: 600 l.

Vacuum power: 13.000 m<sup>3</sup>/h

2 standard Ø800 mm brooms

Brooms side-shift (±200mm)

Sweeping path width: 1,850 m

Monitor for rear vision and vacuum nozzle

Options:

- 3rd broom Ø900mm (sweeping width = 2,6 m)
- High pressure jet spray lance
- Sweeping water recirculation system
- Auxiliary manual wander hose



# B 350 H

THE URBAN SWEEPER THAT MAKES YOUR WORK EASIER



[www.ause.com](http://www.ause.com)

AUSA Center, S.L.U. ● Ctra. de Vic, Km 2.8 - P.O.B. 194, 08243 Manresa - BARCELONA (ESPAÑA) Tel.: +34 93 874 73 11 E-mail: [ause@ause.com](mailto:ause@ause.com)

ISO 9001

ISO 14001



(Sede central AUSA-Manresa)

**AUSA Madrid** ● Pol. Ind. Coslada-Marconi 15-17, 28823 Coslada - MADRID (ESPAÑA) Tel.: +34 91 669 00 06 E-mail: [ause.madrid@ause.com](mailto:ause.madrid@ause.com)

**AUSA France** ● Z. I. Saint Charles-Rue de Zürich, 66000 PERPIGNAN (FRANCE) Tel.: +33 (0) 4 68 54 38 97 E-mail: [ause.france@ause.com](mailto:ause.france@ause.com)

**AUSA Verkauf & Service Deutschland** ● Heinrich-Welken Straße 5, 59069 HAMM - RHYERN (GERMANY) Tel.: +49 (0) 2385-9359362 E-mail: [ause.deutschland@ause.com](mailto:ause.deutschland@ause.com)

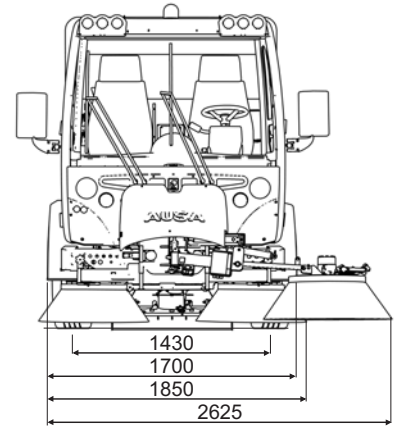
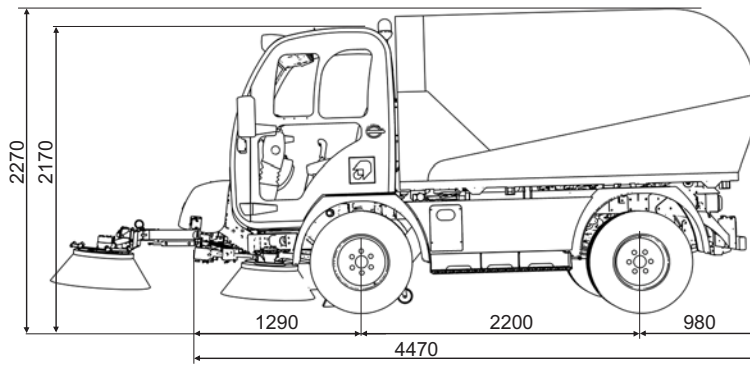
**BEIJING Rep. Office** ● Address Room 527, HengXiang Building, Tuanjiehu Nanli, Chaoyang District. - Beijing 100026 CHINA  
Tel: 86-10-8597 1983 - Fax: 86-10-8597 1993 - E-mail: [ause.china@ause.com](mailto:ause.china@ause.com)

**AUSA UK** ● Sales: 07970639988 E-mail: [ause.uk@ause.com](mailto:ause.uk@ause.com)

**AUSA Northamerica Corp.** ● E-mail: [ause.corp@ause.com](mailto:ause.corp@ause.com)



**B 350 H x2 / x4**



**TECHNICAL SPECIFICATIONS**

		B 350 H x2 / x4
Waste hopper ALUMINIUM	Capacity (m3)	3 m <sup>3</sup>
Water tank INOX	Capacity (l)	600 l (INOX)
Sweeping system	Vacuum power (m <sup>3</sup> /h)	13000 m <sup>3</sup> /h
	Brooms	2 standard brooms of Ø800 mm / 3rd optional broom Ø900 mm
Vacuum nozzle	Sweeping path width (mm)	1850mm / 2625mm with 3rd optional broom
		Nozzle width 800 mm Adjustable gate Stainless steel
Engine	Make	VOLKSWAGEN
	Type	2.01 TDI EURO 5
	Emission regulations	EURO 5
	Power (Kw - Cv)	75-102 (3000 rpm)
	N. of cylinders	4
	Cooling	Liquid
Tank capacity (l)	Fuel	85
		Diesel
Unloading system	Hopper discharge angle	50°
	Backwards movement (mm)	200 mm
	Hopper dump height (mm)	1680 mm
Transmission		2 hydrostatic speeds
		(2 hydrostatic speeds and 2 mechanical speed standard on 62km/h version)
	Maximum speed (Km/h)	Limited to 40 km/h / optional to 62 km/h
	Traction	4x2 rear locking differential on demand / 4x4 COMPEN system and rear locking differential on demand
Gradient negotiable (with full load)		28%
Brakes	Service	Power-assisted hydraulic master cylinder, disc on front wheels and drum brake on rear wheels (ABS + EBD Optional / Standard on version 62 km/h)
	Parking	On rear axle, mechanically applied, hydraulically released
Steering		Hydraulically power-assisted steering, supplied by TRW
suspension		On front axle. Hydraulic absorbers & springs
		On rear axle. Helicoidally leaf springs, hydraulic absorbers and anti-roll bar
Weight (Kg) (with 3rd broom)	Unloaded weight	4530 (2405 front axle ; 2125 rear axle)
	Gross weight	6045 (2650 front axle ; 3750 rear axle)

**STANDARD EQUIPMENT**

- Front brooms (2) broom side-shift (+/- 200mm)
- Closed cabin with heating
- Doors with excellent visibility
- Electronic boost of rpm engine
- Monitor with 2 cameras: suction nozzle / backwards visibility
- Quick "LINK"® coupling / uncoupling fast system of optional interchangeable attachments for the sweeper
- Water coupling STORZ 2"
- Water couplings Barcelona 45 / 70
- Hose 5m
- Waste tank inspection window
- Driver seat with pneumatic suspension
- Passenger seat with mechanical suspension
- Rotating beacon with telescopic support of 450mm length
- Electrically adjustable rear mirrors with heater
- Approved lightning system with electrical settings on head lamps
- Wheel wrench
- Wiring for transceiver set
- Radio
- Front plate for attachments

**OPTIONAL EQUIPMENT**

- Sweeping water recirculation system
- 3rd broom with long reaches (900mm)
- Auxiliary manual wander hose reaching up to 5 m / Ø160 mm
- High pressure water jet spray lance (150 bar / hose length 15m / possibility use of detergent)
- High pressure water jet spray lance with hose reel (150 bar / hose length 16m / possibility use of detergent)
- Standard support legs for taking-off the sweeping equipment
- Air conditioning
- Tacograph
- Passenger seat with pneumatic suspension
- Towing hitch ball (50 mm) with electric socket (13 pins)
- Towing hitch "Rockinger" with electric socket (13 pins)
- Automatic lubrication system
- 62km/h with ABS + EBD and 2 mechanical speed
- ABS + EBD (on 40km/h version)
- 4 wheel drive

AUSA reserves the right to make any changes in the specifications without prior notice.