



m 150M
m 150MC

VERSATIL MULTIFUNCIONAL MODULAR PROFESIONAL ÚNICO
VERSATILE MULTIFUNCIONAL MODULAR PROFESIONAL UNIQUE
VIELSEITIG MULTIFUNKTIONAL MODULAR PROFESSIONELL EINZIGARTIG
POLYVALENT MODULAIRE PROFESSIONEL UNIQUE

MULTI
Task



m 150MC



www.ausa.com

AUSA Center, S.L.U. ● Ctra. de Vic, Km 2.8 - P.O.B. 194, 08243 Manresa - BARCELONA (ESPAÑA) Tel.: +34 93 874 73 11 E-mail: ausa@ausa.com

ISO 9001

ISO 14001

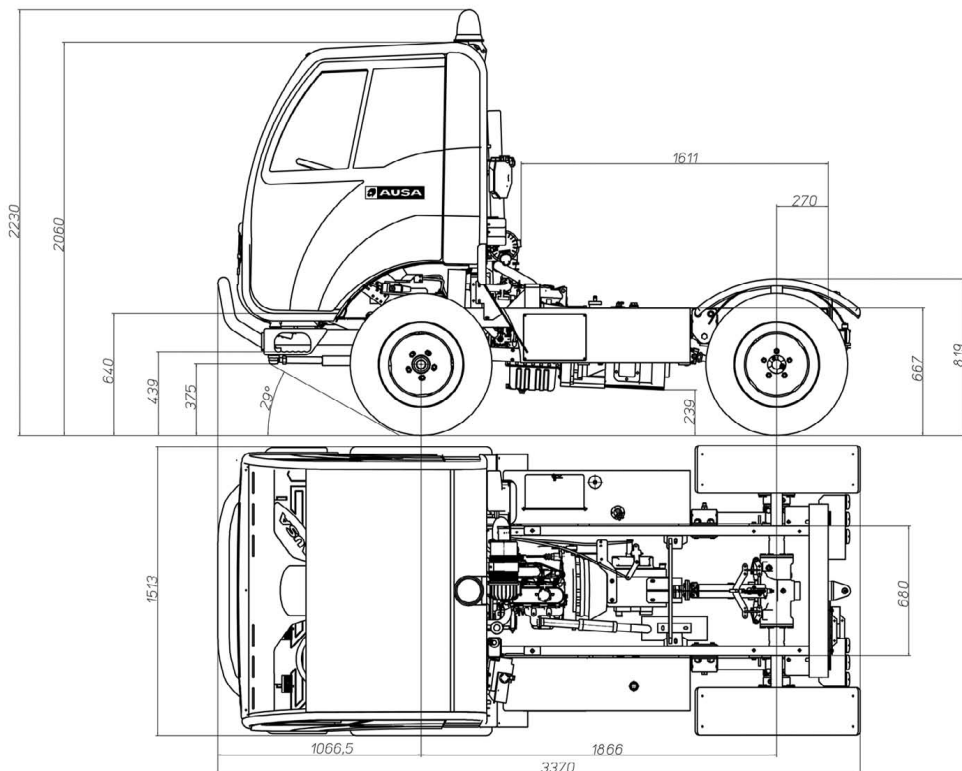


(Sede central AUSA-Manresa)

AUSA Madrid ● Pol. Ind. Coslada-Marconi 15-17, 28823 Coslada - MADRID (ESPAÑA) Tel.: +34 91 669 00 06 E-mail: ausa.madrid@ausa.com
AUSA France ● Z. I. Saint Charles-Rue de Zürich, 66000 PERPIGNAN (FRANCE) Tel.: +33 (0) 4 68 54 38 97 E-mail: ausa.france@ausa.com
AUSA ● Unit 16 Hollows Works - Shawclough Road - Rochdale - Lancs OL12 6LN (U.K.) Tel.: +44 (0) 1706 64 96 91 E-mail: ausa.uk@ausa.com
AUSA Repräsentanzbüro Deutschland ● Heinrich - Welken Str. 5, 59069 HAMM - RHYERN (GERMANY) Tel.: +49 2385922245 E-mail: ausa.deutschland@ausa.com
AUSA Northamerica Corp. ● 2655 Le Jeune Road - Suite 808, CORAL GABLES FL 33134 (USA) Toll free: 1 800 820 AUSA E-mail: ausa.corp@ausa.com
BEIJING Rep. Office ● Address Room 527, HengXiang Building, Tuanjiehu Nanli, Chaoyang District. - Beijing 100026 CHINA
Tel: 86-10-8597 1983 - Fax: 86-10-8597 1993 - E-mail: ausa.china@ausa.com



M 150 M _ 1500 Kg
M 150 MC _ 1500 Kg



SPECIFICATIONS

		M 150M	M 150MC
Load capacity (Kg)		1500	
Hopper capacities (l)	Levelled	850	
	Heaped	1200	
Engine and electrical	Make	KUBOTA	
	Type	D1105	
	Power acc. (Kw - Cv)	16.8 - 22	
	N. of cylinders	3	
	Cooling	Liquid	
	Fuel	Diesel	
Fuel capacity (l)		35	
Transmission		Mechanical, with 5 forward gears and 1 reverse	
	Ground speed (Km/h)	30	
	Traction	4 x 2	
Gradient negotiable (with full load)		38%	
Brakes		Hydraulic braking system Front: disks - Rear: oil-immersed multidisk With parking brake	
Steering		Hydraulic steering system	
Suspension		Front axle with springs and hydraulic damper Rear axle with elliptical leaf springs	
Attack	Obstruction angle	29°	
	Departure angle	60°	
Weight (Kg)	Unloaded weight (Kg)	1050 (front axle), 670 (rear axle)	1100 (front axle), 920 (rear axle)
	Maximum loaded weight (GVW)	1250 (front axle), 1970 (rear axle)	1500 (front axle), 2220 (rear axle)
Hydraulic delivery		Steering pump 16 l/min (at 1500 rpm)	
Tyres		10,0/80-12	

STANDARD EQUIPMENT

	Closed cabin with heating
	Ergonomic seats
	Seat belts
	Rear view mirrors (left/right)
	Rotating beacon
	Lighting equipment
	Audible reverse warning
Unloading tipping box	Container carrier system + 1 container

OPTIONAL EQUIPMENT

	Box with folding doors
	Box with different measurements wings
	High pressure cleaning
	Wide tyres 11,0/65-12
	Spare boxes for container carrier system
	Garbage container