



TAURULIFT T 144H



www.ausa.com

AUSA Center, S.L. ● Ctra. de Vic, Km 2.8 - P.O.B. 194, 08243 Manresa - BARCELONA (ESPAÑA) Tel.: +34 93 874 73 11 E-mail: ausa@ausa.com



AUSA Madrid ● Pol. Ind. Coslada-Marconi 15-17, 28823 Coslada - MADRID (ESPAÑA) Tel.: +34 91 669 00 06 E-mail: ausa.madrid@ausa.com

AUSA France ● Z. I. Saint Charles-Rue de Zürich, 66000 PERPIGNAN (FRANCE) Tel.: +33 (0) 4 68 54 38 97 E-mail: ausa.france@ausa.com

AUSA Verkauf & Service Deutschland ● Heinrich-Welken-Str. 5, 59069 HAMM-RHYERN (GERMANY) Tel.: +49 (0) 2385-9359362 E-mail: info@ausa.de

BEIJING Rep. office ● Address Room 527, HengXiang Building, Tuanjiehu Nanli, Chaoyang District. - Beijing 100026 CHINA

Tel.: 86-10-8597 1983 - Fax: 86-10-8597 1993 - E-mail: ausa.china@ausa.com

AUSA UK ● Sales: 07970639988 E-mail: ausa.uk@ausa.com

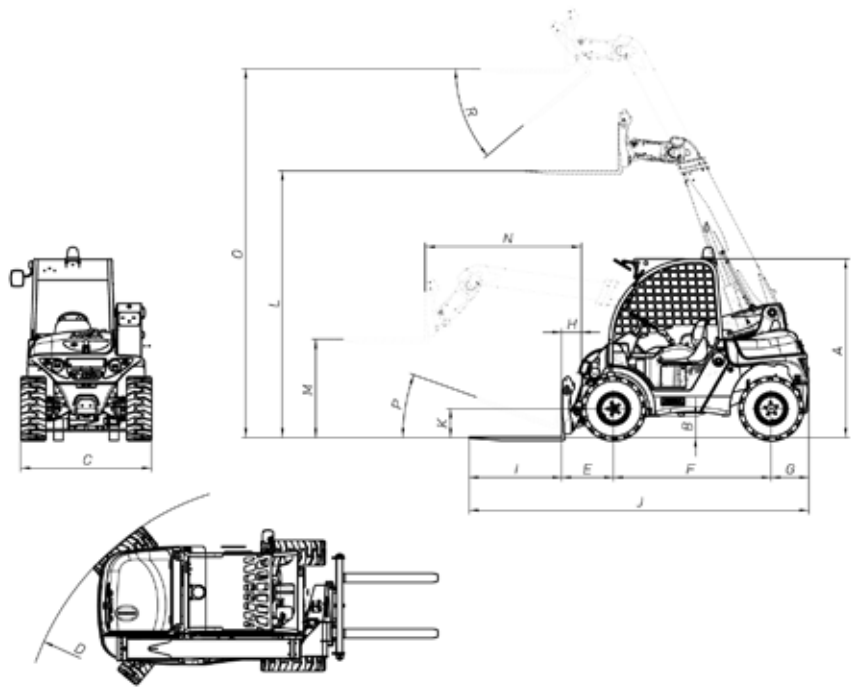
AUSA Northamerica Corp. ● E-mail: ausa.corp@ausa.com

(Sede central AUSA-Manresa)

T 144 H

AUSA
www.ausa.com

DIMENSIONS (mm)		T 144 H
A		1950
B		226
C		1410
D		2950
E		559
F		1700
G		406
H		211
I		1000
J		3665
K		310
L		2877
M		1057
N		1682
O		3976
P		20°
R		40°



TECHNICAL SPECIFICATIONS

		T 144 H
Load capacity	Max. load	1.350 Kg
	Load at max. height	1.350 Kg
Lifting height	Maximum lifting height	3.990 mm
	Lifting height at max. load	3.990 mm
Reach	Max reach	2.180 mm
	Capacity at max reach	550 Kg
Unload weight		2.400 Kg
Engine	Turbo-diesel	Kubota V-1505
	Power / rpm (DIN 70020)	22.7 / 30.8 (2600 rpm)
	Torque	93.9 Nm @ 1700 rpm
	Nº of cylinders	4
	Cooling system	Water
Traction		4x4
Transmission		Hydrostatic
Clutch		No
Engine starting system		Electric
Speed		20 Km/h
Axles		AUSA
Gradient negotiable (with full load)		23%
Hydraulic circuit	Working pressure	240 bar
	Tyres	
	Front	27x10 - 12
	Rear	27x10 - 12
External turning circle		2.930 mm
Steering		Hydraulic
Tank capacity	Fuel	55 l
	Hydraulic fluid	32 l
Service brake		Hydrostatic retardation system
Parking brake		Mechanically applied hydraulically released inside the hydrostatic motor
STANDARD EQUIPMENT		Antivandalic system
		Ergonomic seat with seat belt
		Joystick with "total control" of movements
		Homologated ROPS-FOPS cabin
		Rotating beacon
		Rear view mirror
		Audible reverse warning
		Power take off with quick coupler
		Passive security system:
		Visual and acoustic Tipping / Engine start lock with hand brake activated
		Control arm lock without driver
		Active security system: arm lock for rollover risk
		Auxiliary hydraulic port
		Semi-closed cabin
	Closed cabin	
	Load guard	
	Lighting equipment	
	Working light	
	Bucket 300 lt	
OPTIONAL EQUIPMENT		

AUSA reserves the right to make any changes in the specifications without prior notice.