



TAURULIFT T 133H



www.ausa.com

AUSA Center, S.L. ● Ctra. de Vic, Km 2.8 - P.O.B. 194, 08243 Manresa - BARCELONA (ESPAÑA) Tel.: +34 93 874 73 11 E-mail: ausa@ausa.com



ISO 9001 ISO 14001



AUSA Madrid ● Pol. Ind. Coslada-Marconi 15-17, 28823 Coslada - MADRID (ESPAÑA) Tel.: +34 91 669 00 06 E-mail: ausa.madrid@ausa.com

AUSA France ● Z. I. Saint Charles-Rue de Zürich, 66000 PERPIGNAN (FRANCE) Tel.: +33 (0) 4 68 54 38 97 E-mail: ausa.france@ausa.com

AUSA Verkauf & Service Deutschland ● Heinrich-Welken Str. 5, 59069 HAMM - RHYERN (GERMANY) Tel.: +49 (0) 2385-9359362 E-mail: ausa.deutschland@ausa.com

BEIJING Rep. office ● Address Room 527, HengXiang Building, Tuanjiehu Nanli, Chaoyang District. - Beijing 100026 CHINA

Tel: 86-10-8597 1983 - Fax: 86-10-8597 1993 - E-mail: ausa.china@ausa.com

AUSA UK ● Sales: 07970639988 E-mail: ausa.uk@ausa.com

AUSA Northamerica Corp. ● E-mail: ausa.corp@ausa.com

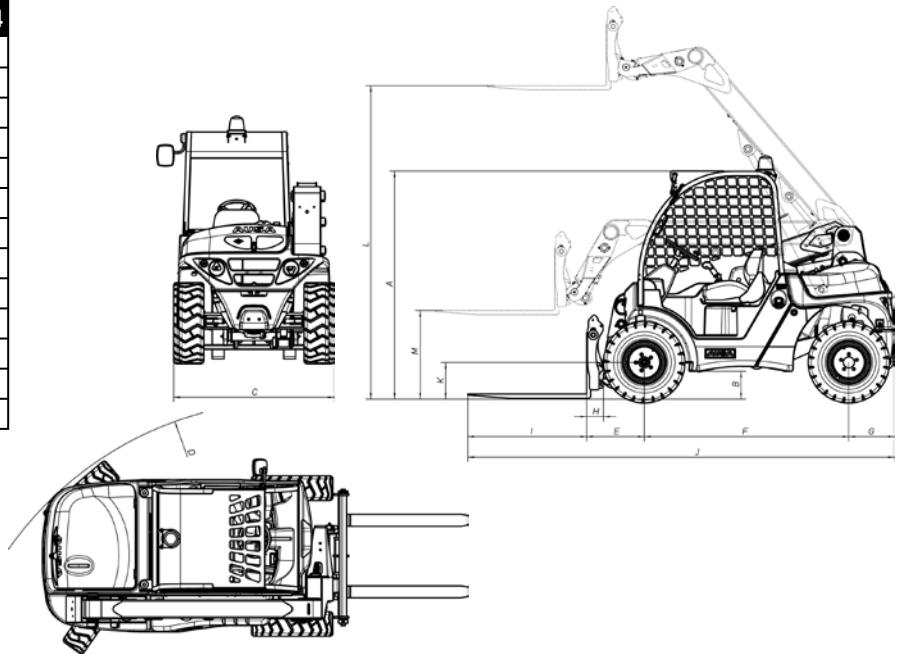
(Sede central AUSA-Manresa)

T 133 H

AUSA

www.ausa.com

DIMENSIONS (mm)	T 133 H	T 133 H x4
A	1924	1942
B	263	270
C	1347	1410
D	2919	3140
E	485	485
F	1723	1723
G	383	383
H	143	123
I	1000	1000
J	3591	3591
K	310	310
L	2644	2644
M	748	748



TECHNICAL SPECIFICATIONS

		T 133 H	T 133 H x4
Load capacity	Max. load (Kg)		1300
	Load at max. height (Kg)		1300
Lifting height	Maximum lifting height (mm)		2700
	Lifting height at max. load (mm)		2700
Reach	Max reach (mm)	467	458
	Capacity at max reach (Kg)		1300
Unload weight (Kg)		2000	2200
Engine	Diesel		Kubota D-1105
	Power acc./DIN 70020 (rpm)		16.8 KW (22.4 CV) / 2700
	Torque		71 Nm
	N° of cylinders		3
	Cooling system		Water
Traction		4x2	4x4
Transmission		Hidrostatic 1 gear	
Clutch		NO	
Engine starting system		Electric	
Speed (km/h)		20	
Axles		AUSA "NTJ"	
Gradient negotiable (with full load)		31 %	26 %
Hydraulic circuit	Working pressure	240 bar	
	Hydraulic pump	8 cc	
	Flow circuit (l/min)	19.5	
Tyres	Front	7.00 - 12	27x10 - 12
	Rear	7.00 - 12	27x10 - 12
External turning circle (mm)		2919	2982
Steering		Hydraulic	
Tank capacity	Fuel (l)	55	
	Hydraulic fluid (l)	32	
Service brake		Hydrostatic brake system	
Parking brake		Mechanically applied hydraulically released inside the hydrostatic motor	
STANDARD EQUIPMENT	Seat belt		
	Joystick with "total control" of movements		
	Homologated "FOPS-ROPS" cabin		
	Rotating beacon		
	Rear view mirror		
	Audible reverse warning		
OPTIONAL EQUIPMENT	Antivandalic system		
	Power take off with quick coupler		
	Load guard		
	Lighting equipment		
	Working light		
	Semi-closed cabin		
	Full cabin with heating		
	Side shift		
	Attachment to lift the machine with a forklift		
	Bucket (300 l / 400 l)		
	4 en 1 bucket		
	"Pelikan" bucket		
	"Pelikan" forks		
Agricultural forks			
Bullet forks			

AUSA reserves the right to make any changes in the specifications without prior notice.