



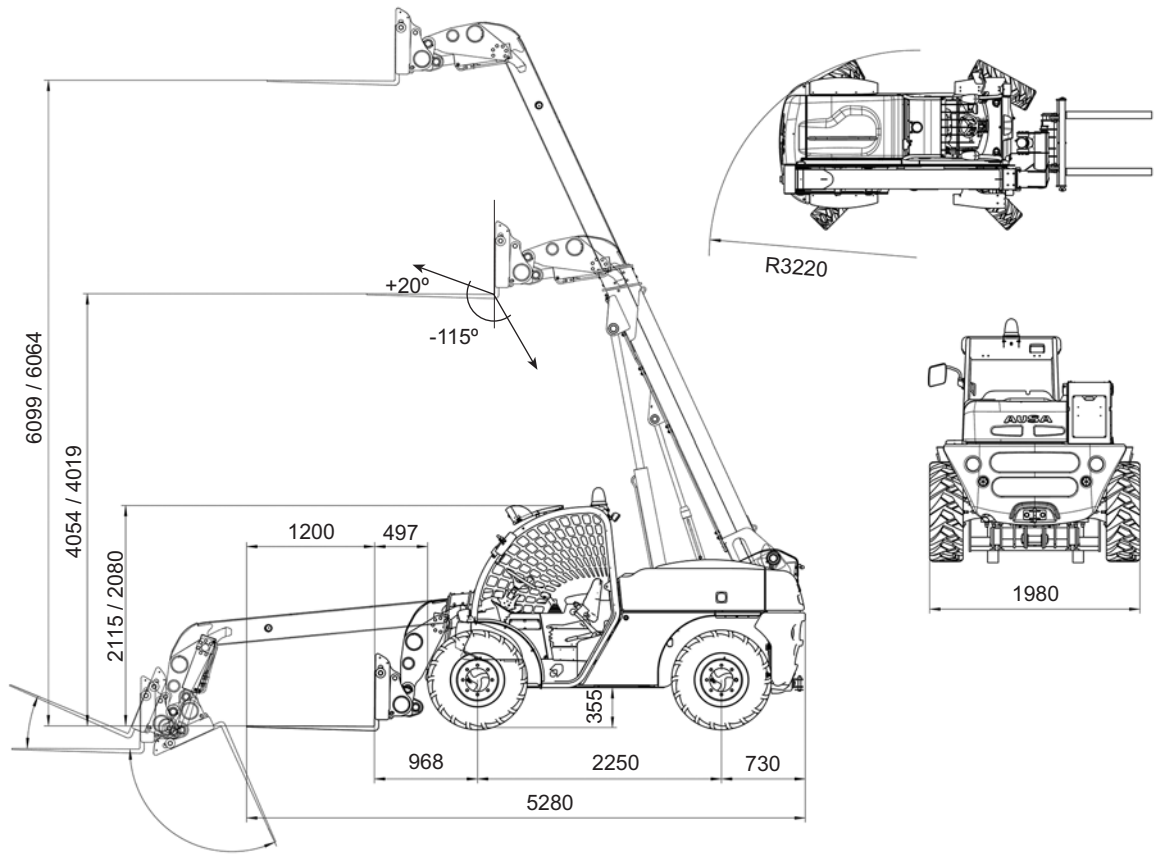
TAURULIFT T 276 H



T 276 H 2700 Kg

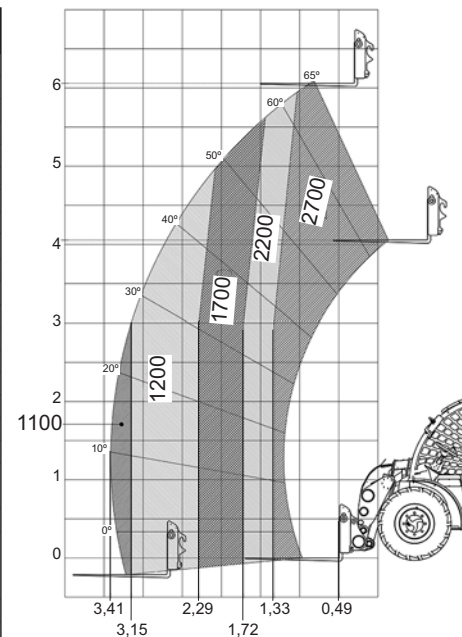


www.ausa.com



TECHNICAL SPECIFICATIONS

		T 276 H
Load capacity (Kg)	Max. load	2700
	Load at max. height	2700
Lifting height (mm)	Maximum lifting height	6100
	Maximum lifting height at max. load	6100
Reach	Max reach (mm)	3400
	Capacity at max reach (Kg)	1180
Engine	Turbo Diesel	KUBOTA V3600-T
	Power acc./ SAE J 1995 (KW/HP)	85.6 / 63 (2400 rpm)
	N° of cylinders	4
	Cooling system	Water
Traction		4x4 permanent
Transmission		Hidrostatic 2 gears. Electric gear inverter.
Engine starting system		Electric
Speed (Maximum) (Km/h)		24
Unladen weight (Kg)		5015
Gradient negotiable (with full load)		40 % Standard tyres / 45% All Terrain Tyres (optional)
Hydraulic circuit		36 cc. gear pump. Working pressure 240 bar
Tyres	Front	Asphaltic 12,5 / 80 - 18
	Rear	Asphaltic 12,5 / 80 - 18
External turning circle (mm)		3220
Steering		Hydraulic
		Front wheel steer / All wheel steer / Crab steer
Tank capacity (l)	Fuel	110
	Hydraulic fluid	70
Service brake		Disc brake, hidraulically actuated
Parking brake		Same disc brake, mechanically actuated
STANDARD EQUIPMENT	Approved FOPS-ROPS cabin	
	Antivandalic system	
	Adjustable ergonomic seat	
	Seat belt	
	Rear view mirror	
	Rotating beacon	
	Audible reverse warning	
	Auxiliary hydraulic service with quick hitch	
	Tilting cabin for service	
	Passive security system	
OPTIONAL EQUIPMENT	Total control Joystick	
	Approved lighting equipment	
	Working lights	
	Semi-closed cabin	
	Full cabin with heater	
	Air conditioning	
	Load backrest	
	Limited slip differential on front axle	
	All terrain tyres (12,0 / 75 - 18 TL)	
	All terrain open center tyres (12,0 / 75 - 18)	
600 / 700 / 1000 l. Bucket		
Multi-Tach hydraulic system		
Side shift (+/- 100 mm) with load backrest		



AUSA reserves the right to make any changes in the specifications without prior notice.