



# TAURULIFT T 204 H



[www.ausa.com](http://www.ausa.com)

**AUSA Center, S.L.** ● Ctra. de Vic, Km 2.8 - P.O.B. 194, 08243 Manresa - BARCELONA (ESPAÑA) Tel.: +34 93 874 73 11 E-mail: [ausa@ausa.com](mailto:ausa@ausa.com)

ISO 9001

ISO 14001



(Sede central AUSA-Manresa)

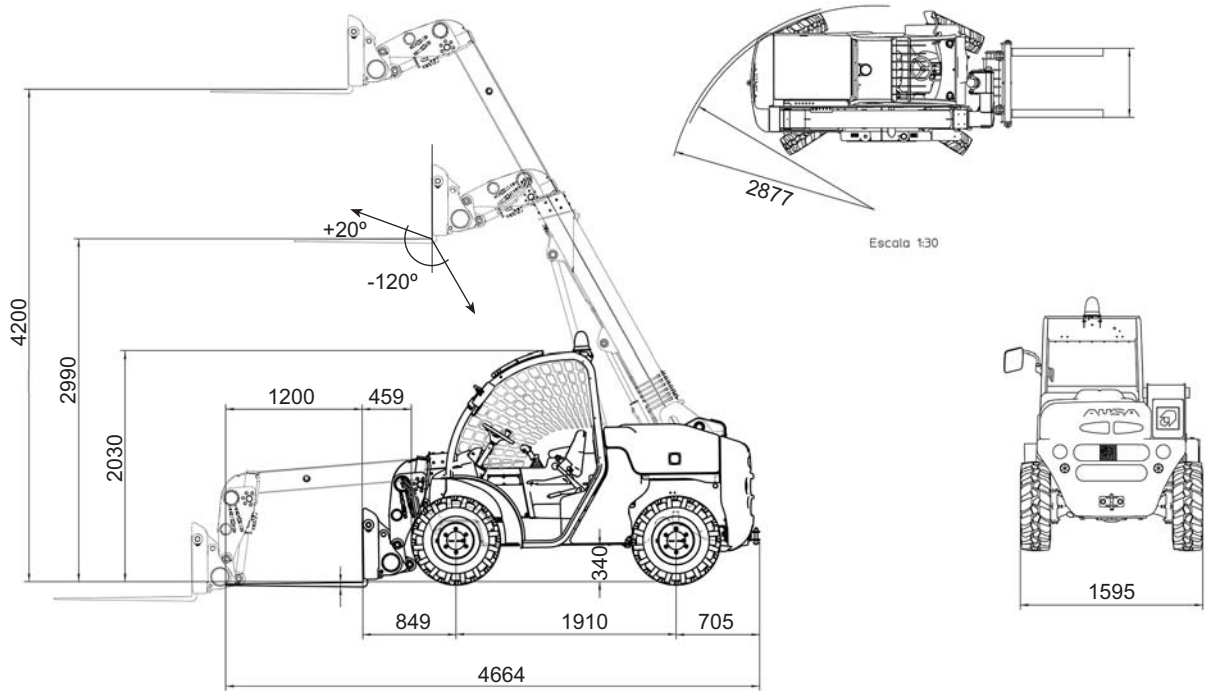
- AUSA Madrid** ● Pol. Ind. Coslada-Marconi 15-17, 28823 Coslada - MADRID (ESPAÑA) Tel.: +34 91 669 00 06 E-mail: [ausa.madrid@ausa.com](mailto:ausa.madrid@ausa.com)
- AUSA France** ● Z. I. Saint Charles-Rue de Zürich, 66000 PERPIGNAN (FRANCE) Tel.: +33 (0) 4 68 54 38 97 E-mail: [ausa.france@ausa.com](mailto:ausa.france@ausa.com)
- AUSA UK** ● Unit 16 Hollows Works - Shawclough Road - Rochdale - Lancs OL12 6LN (U.K.) Tel.: +44 (0) 1706 64 96 91 E-mail: [ausa.uk@ausa.com](mailto:ausa.uk@ausa.com)
- AUSA DEUTSCHLAND GmbH.** ● Heinrich - Welken Straße 5, 59069 HAMM - RHYNERN (GERMANY) Tel.: +49 2385922245 E-mail: [ausa.deutschland@ausa.com](mailto:ausa.deutschland@ausa.com)
- AUSA Northamerica Corp.** ● 8125 NW 74th Ave, Unit 5 - Medley, FL 33166 - (USA) Tel.: 305-884-1255 - E-mail: [ausa.corp@ausa.com](mailto:ausa.corp@ausa.com)
- BEIJING Rep. office** ● Address Room 527, HengXiang Building, Tuanjieshu Nanli, Chaoyang District. - Beijing 100026 CHINA Tel: 86-10-8597 1983 - Fax: 86-10-8597 1993 - E-mail: [ausa.china@ausa.com](mailto:ausa.china@ausa.com)



FEM-AEM

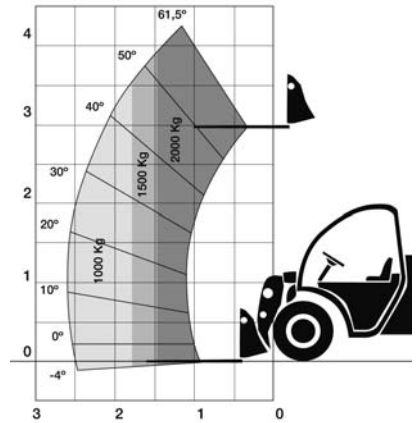


**T 204 H** 2000 Kg



**TECHNICAL SPECIFICATIONS**

		T 204 H
Load capacity (Kg)	Max. load	2000
	Load at max. height	2000
Lifting height (mm)	Maximum lifting height	4200
	Maximum lifting height at max. load	4200
Reach	Max reach (mm)	2598
	Capacity at max reach (Kg)	1000
Engine	Diesel	KUBOTA V2403
	Power acc./ SAE J 1995 (KW/HP)	36.5 / 49.6 (2600 rpm)
	N° of cylinders	4
	Cooling system	Water
Traction		4x4 permanent
Transmission		Hidrostatic 2 gears. Electric gear inverter.
Engine starting system		Electric
Speed (Maximum) (Km/h)		24
Unladen weight (Kg)		4050
Gradient negotiable (with full load)		50 %
Hydraulic circuit		24 cc. gear pump. Working pressure 240 bar.
Tyres	Front	10 / 75-15.3 (14 PR)
	Rear	10 / 75-15.3 (14 PR)
External turning circle (mm)		2877
Steering		Hydraulic
		front wheel steer / all wheel steer / crab steer
Tank capacity (l)	Fuel	65
	Hydraulic fluid	70
Service brake		Disc
Parking brake		Mecanical at the same disk caliper



**STANDARD EQUIPMENT**

- Approved FOPS-ROPS cabin
- Antivandalic system
- Adjustable ergonomic seat
- Seat belt
- Rear view mirror
- Rotating beacon
- Audible reverse warning
- Auxiliary hydraulic service with quick hitch
- Tilting cabin for service
- Passive security system

**OPTIONAL EQUIPMENT**

- Semi-closed cabin / Full cabin with heater
- Air conditioning
- Wide tyres (12 x 16,5)
- All terrain tyres (10.0 / 75 - 15.3)
- 600 l. hydraulic bucket
- Working lights
- Approved lighting equipment
- Multi-Tach hydraulic system
- Limited slip differential on front axle
- Load backrest
- Side swift (+/- 100 mm) with load backrest

AUSA reserves the right to make any changes in the specifications without prior notice.