



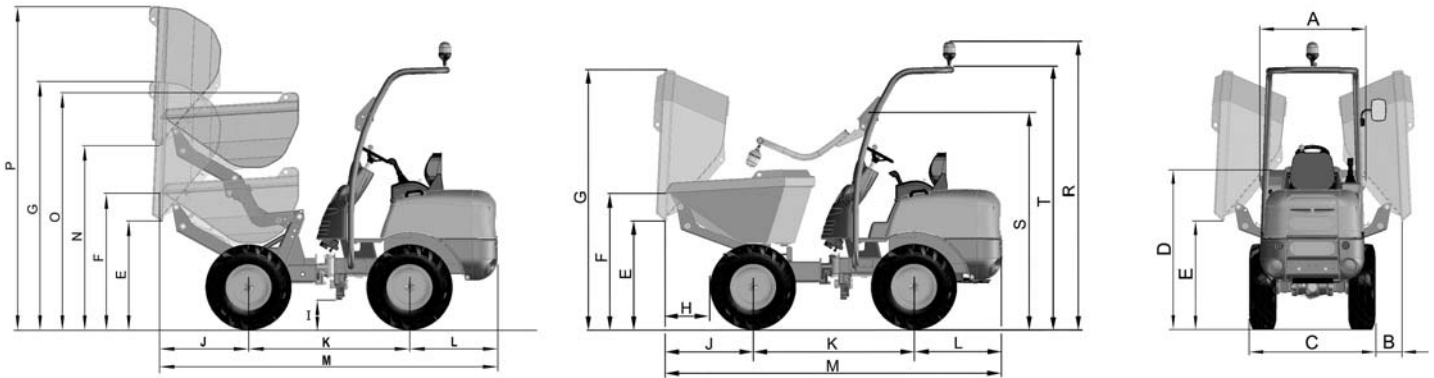
D 85 AHA
D 100 AHA
D 120 AHA

D 85 AHG
D 120 AHG
D 150 AHG



DIMENSIONS (mm)	D 85 AHA	D 100 AHA	D 120 AHA	D 85 AHG	D 120 AHG	D 150 AHG
A	990	990	1190	990	1190	1391
B	-	-	-	350	245	100
C	1015	1215 (1125*)	1200	1015	1200	1450
D	1435	1440	1485	1420	1470	1500
E	930	935	980	970	1020	1030
F	1225	1230	1275	1225	1275	1275
G	2230	2235	2280	2380	2430	2525
H	495	485	440	490	435	435
I	215	220	265	215	265	275
J	822	822	822	804	804	820
K	1500	1500	1500	1500	1500	1600
L	820	820	820	820	820	820
M	3142	3142	3142	3124	3124	3240
N	1630	1635	1680	-	-	-
O	2130	2135	2180	-	-	-
P	2930	2935	2980	-	-	-
Q	2600	2605	2650	2600	2650	2600
R	1950	1955	2000	1950	2000	2015
S	2370	2375	2420	2370	2420	2450

* with optional tyres



TECHNICAL SPECIFICATIONS

	D 85 AHA / D 100 AHA / D 120 AHA	D 85 AHG / D 120 AHG	D 150 AHG	
Load capacity (Kg)	850 / 1000 / 1200	850 / 1000 / 1200	1500	
Unloading system	Hydraulic tipping.	Hydraulic, 180° rotating.	Hydraulic, 180° rotating.	
Chassis	Articulated +/- 35° and oscillating +/- 13°.			
Hopper capacities (l)	Water Levelled Heaped	345 / 345 / 425 395 / 395 / 515 505 / 505 / 680	325 / 415 390 / 495 510 / 670	520 626 835
Engine	Diesel Power acc./SAE J 1995 (KW/HP) N° of Cylinders Cooling system	Kubota D1105 22,8 / 16,8 3 Water	Kubota D1105 22,8 / 16,8 3 Water	Kubota D1105 22,8 / 16,8 3 Water
Traction	4 x 4 permanent			
Transmission	Hydrostatic with variable flow pump and automatic regulation. Forward and reverse control on the joystick.			
Engine starting system	Electric			
Speed (max.) (Km/h)	14 / 15 / 17	14 / 17	17	
Axles	Axles with planetary wheel reduction			
Unladen weight (Kg)	1300 / 1300 / 1375	1300 / 1375	1510	
Gradient negotiable (with full load)	43% / 38% / 48%	43% / 48%	40%	
Hydraulic circuit	Gear pump of 8 cc. Working pressure 170 bar.			
Tyres	Standard Optional (D100AHA-AHG)	7.00-12" / 11.0/65-12 / 10.0/75-15.3" - / 27x8.50-15" / -	7.00-12" / 10.0/75-15.3" - / 27x8.50-15" / -	10.0/75-15.3" -
External turning circle (mm)	3060			
Steering	Hydraulic			
Tank capacity (l)	Fuel Hydraulic fluid	23 21.2	23 21.2	23 21.2
Service and parking brake	Sealed oil-immersed, multidisc, mechanically operated			

STANDARD EQUIPMENT

Anti vandal system
Ergonomic seat
Seat belt
Joystick
ROPS
Rotating beacon
Rear view mirror

OPTIONAL EQUIPMENT

FOPS overhead guard
Lighting equipment
Audible reverse warning (Std. UK)